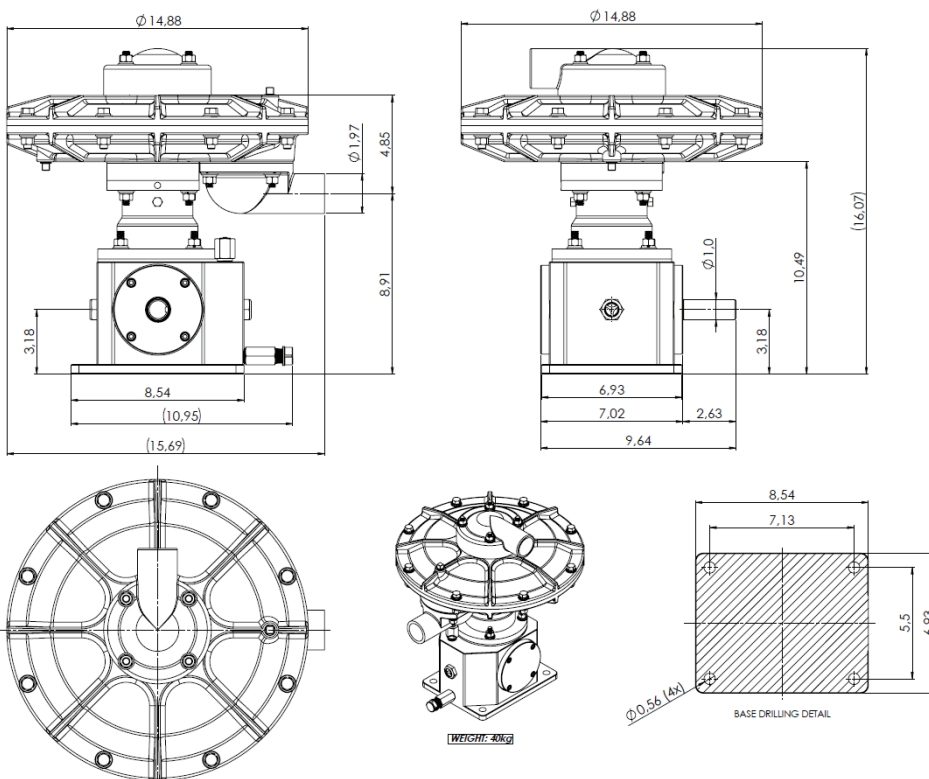




Compatible with **Pionner**,
Cornell and **Selwood**.
Diaphragm vacuum Pump
The upper and lower parts kit
are offered separately.



MADE IN BRAZIL



Capacities

NOMINAL FLOW = 50 CFM
ROTATION SPEED = 1.200 RPM
MAX . VACUUM= 27 IN HG

Power Requirements

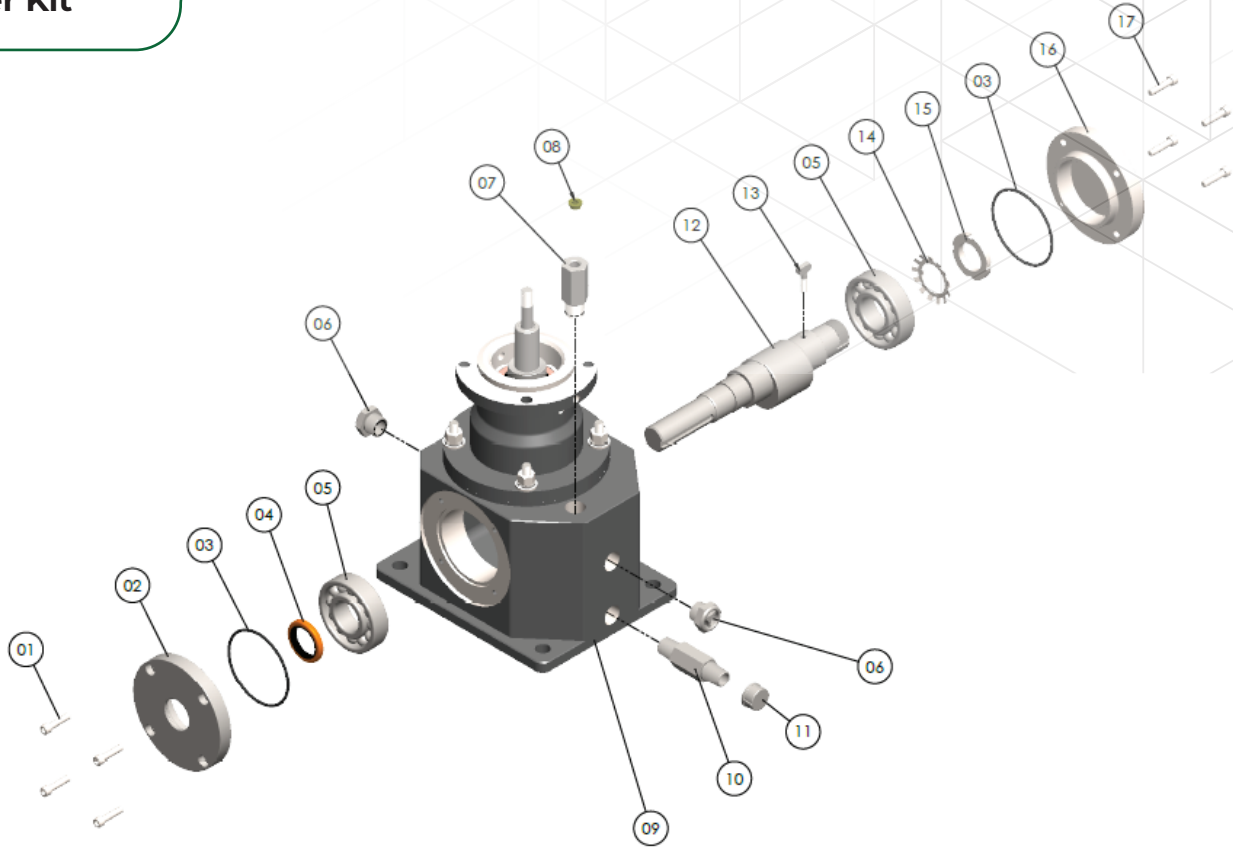
@PEAK DEMAND = 2.0 KW
@COASTING = 0,3 KW

UNIT WEIGHT = 42 KG / 95 LB

Shipping dimensions

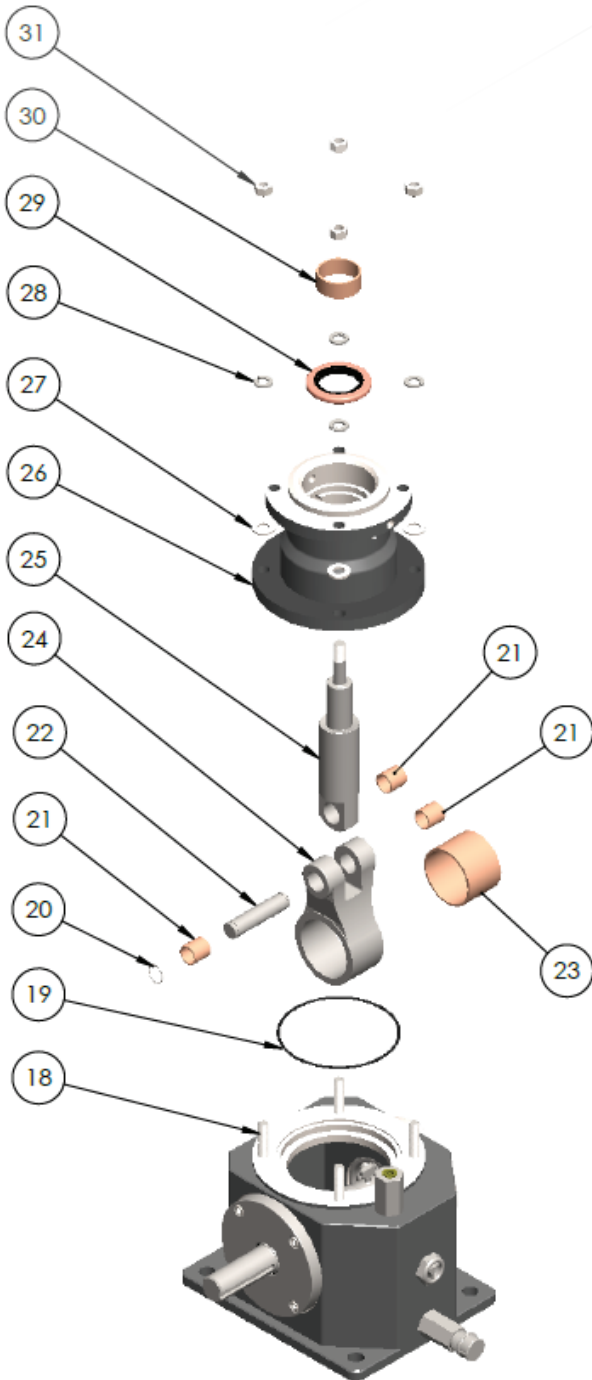
40x40x56 cm / 16x16x22 in

Lower Kit



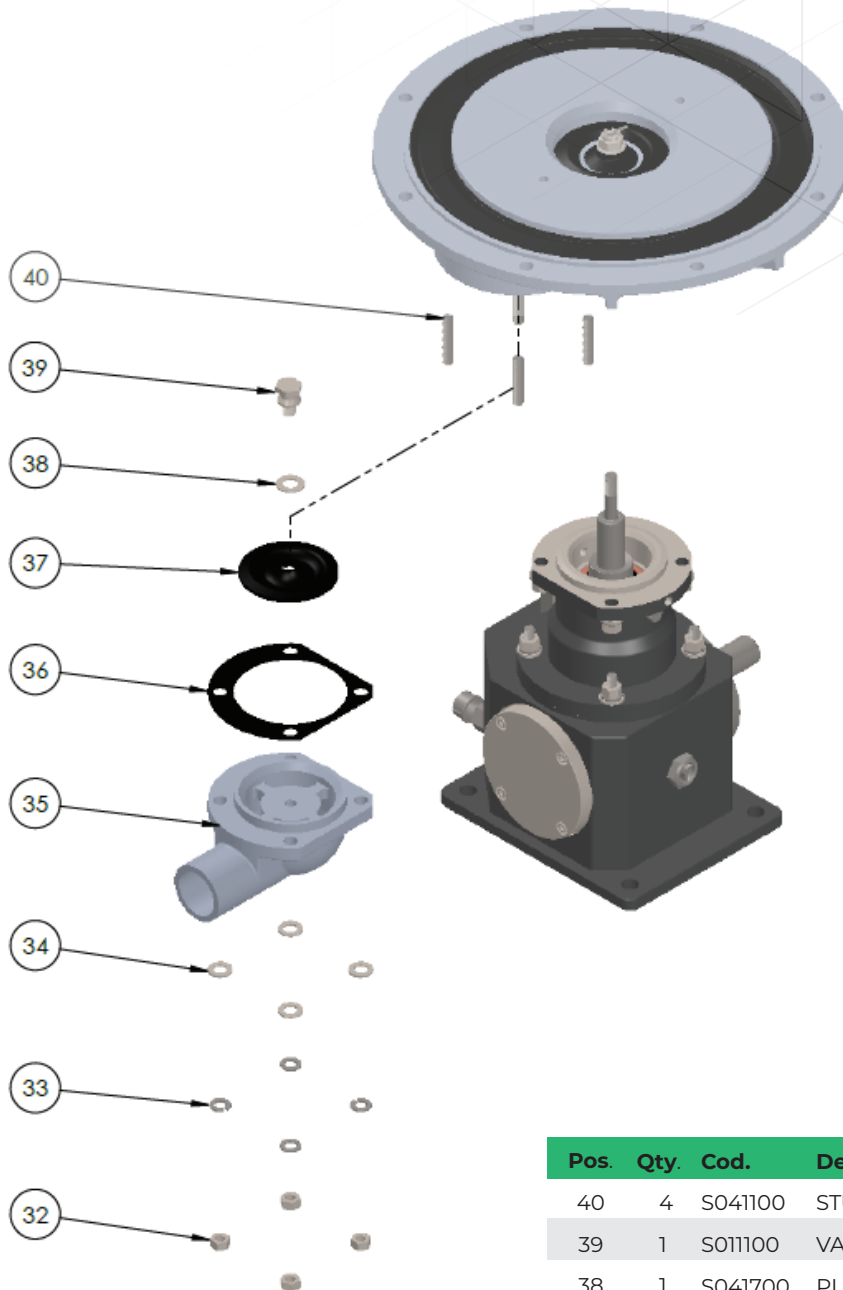
Pos.	Qty.	Cod.	Description
17	4	S040100	ALLEN SCREW 1/4" x 3/4" - UNC
16	1	S010400	BEARING COVER
15	1	S041000	BEARING NUT KM 30
14	1	S040900	BEARING WASHER KM 30
13	1	S042100	OIL FLINGER 1/4" x 1" UNC
12	1	S010300	CRANK SHAFT
11	1	S040800	CAP 1/2" NPT
10	1	S011400	NIPLE 1/2" NPT
09	1	S010200	BASE
08	1	S042000	BREATHER 1/8" NPT
07	1	S011300	REDUCTION 1/2" x 1/8" NPT
06	2	S040500	OIL SIGHT 1/2" NPT
05	2	S040400	BEARING 72 x 30 x 19mm
04	1	S040300	SHAFT SEAL
03	2	S041500	BEARING COVER O-RING
02	1	S010100	SHAFT COVER
01	4	S040100	ALLEN SCREW 1/4" x 3/4" - UNC

Parts Diagram



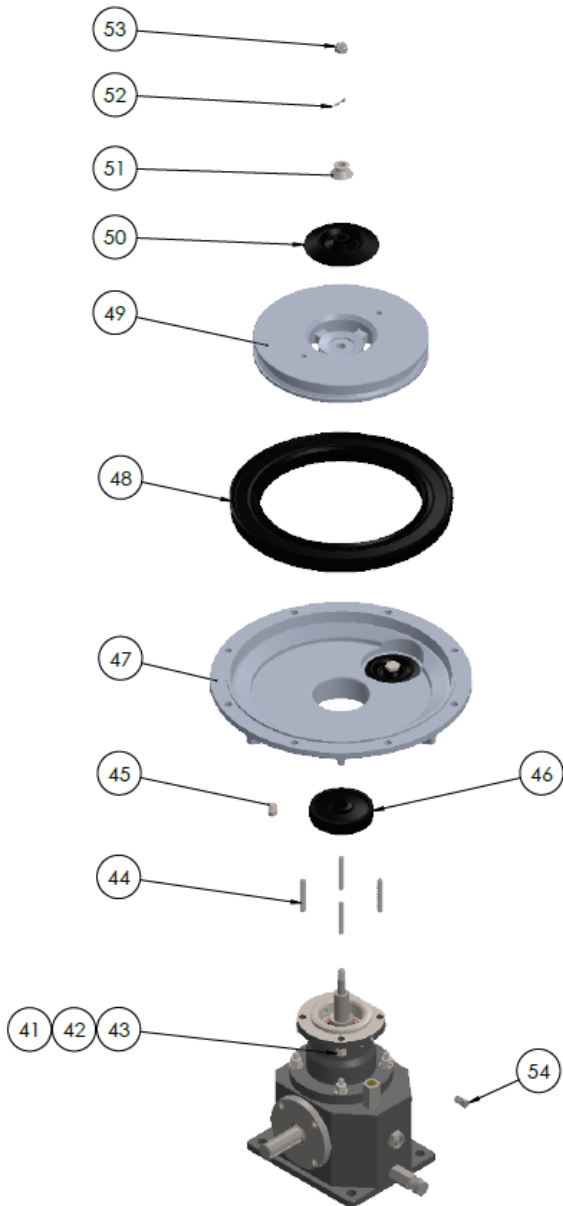
Pos.	Qty.	Cod.	Description
31	4	S041600	NUT SX 3/8"UNC
30	1	S011500	PEDESTAL BUSHING
29	1	S040700	PEDESTAL SEAL
28	4	S041400	PRESS WASHER 3/8"
27	4	S042600	PLAIN WASHER 3/8"
26	1	S011000	PEDESTAL
25	1	S010900	ACTUATOR SHAFT
24	1	S010800	CONNECTING ROD
23	1	S010700	CONN. ROD LARGE BUSHING
22	1	S010600	CONN. ROD PIN
21	3	S010500	CONN. ROD SMALL BUSHING
20	2	S041300	CIRCLIP 15MM
19	1	S041200	PEDESTAL O-RING
18	4	S041100	STUD 3/8" X 1.4/5" UNC

Lower Kit



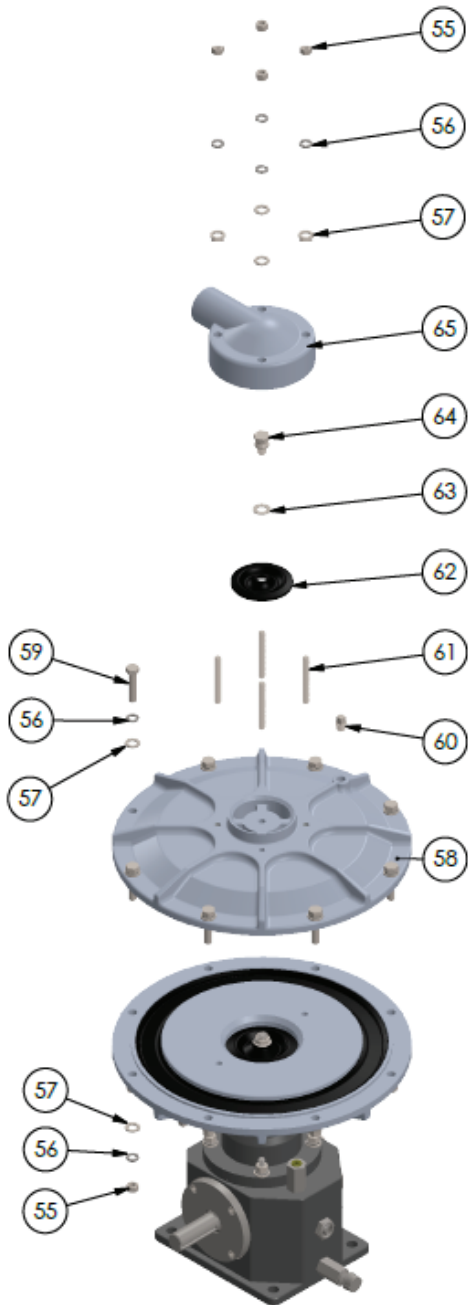
Pos.	Qty.	Cod.	Description
40	4	S041100	STUD 3/8" X 1.4/5" UNC
39	1	S011100	VALVE SCREW
38	1	S041700	PLAIN WASHER 7/16" - INOX
37	1	S030200	INLET/ OUTLET VALVE
36	1	S030100	SUCTION GASKET
35	2	S020100	SUCTION NOZZLE
34	4	S042600	PLAIN WASHER 3/8" UNC
33	4	S041400	PRESS WASHER 3/8" UNC
32	4	S041600	HEX NUT 3/8" UNC

Lower Kit



Pos.	Qty.	Cod.	Description
54	2	S042500	PLUG 1/8"
53	1	S041800	CASTLE NUT 7/16" UNC
52	1	S042400	PIN 3/32"X 1"
51	1	S011200	CONICAL WASHER
50	1	S030500	ACTUATOR VALVE
49	1	S020300	ACTUADOR
48	1	S030400	RUBBER DIAPHRAGM
47	1	S020200	LOWER HOUSING
46	1	S030300	RUBBER DISK
45	1	S042200	PLUG 1/4"NPT
44	4	S041100	STUD 3/8"
43	4	S042600	PLAIN WASHER 3/8"
42	4	S041400	PRESS WASHER 3/8"
41	4	S041600	HEX NUT 3/8"UNC

Lower Kit



Pos.	Qty.	Cod.	Description
65	1	S020500	DISCHARGE NOZZLE
64	1	S011100	VALVE SCREW
63	1	S041700	PLAIN WASHER 7/16" - INOX
62	1	S030200	INLET/OUTLET VALE
61	4	S042000	STUD 3/8"X 1.3/8" - UNC
60	1	S042200	PLUG 1/4" NPT
59	8	S041900	HEX SCREW 3/8"1.1/2" - UNC
58	1	S020400	UPPER HOUSING
57	16	S042600	PLAIN WASHER 3/8"
56	16	S041400	PRESS WASHER 3/8"
55	16	S041600	HEX NUT 3/8" - UNC