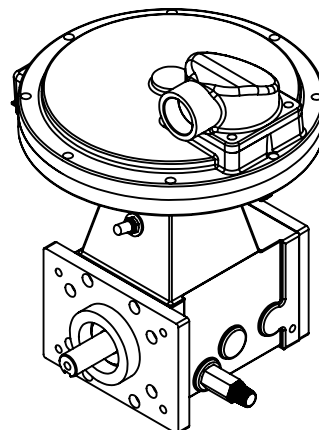
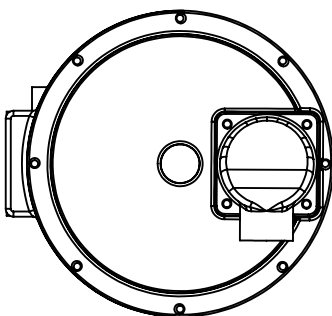
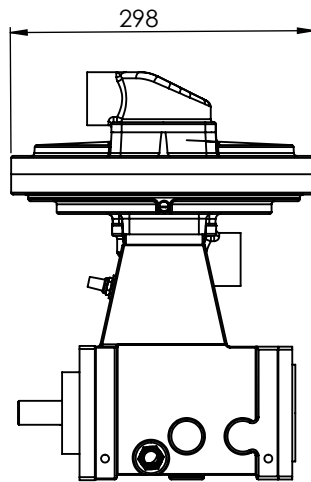
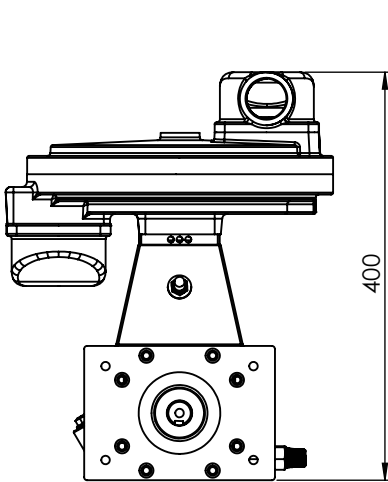




MADE IN BRAZIL

Compatible with **BBA Pumps**.
30 CFM Diaphragm vacuum
Pump.



Capacities

NOMINAL FLOW = 30 CFM
ROTATION SPEED = 2.200 RPM
MAX. VACUUM = 27 IN HG

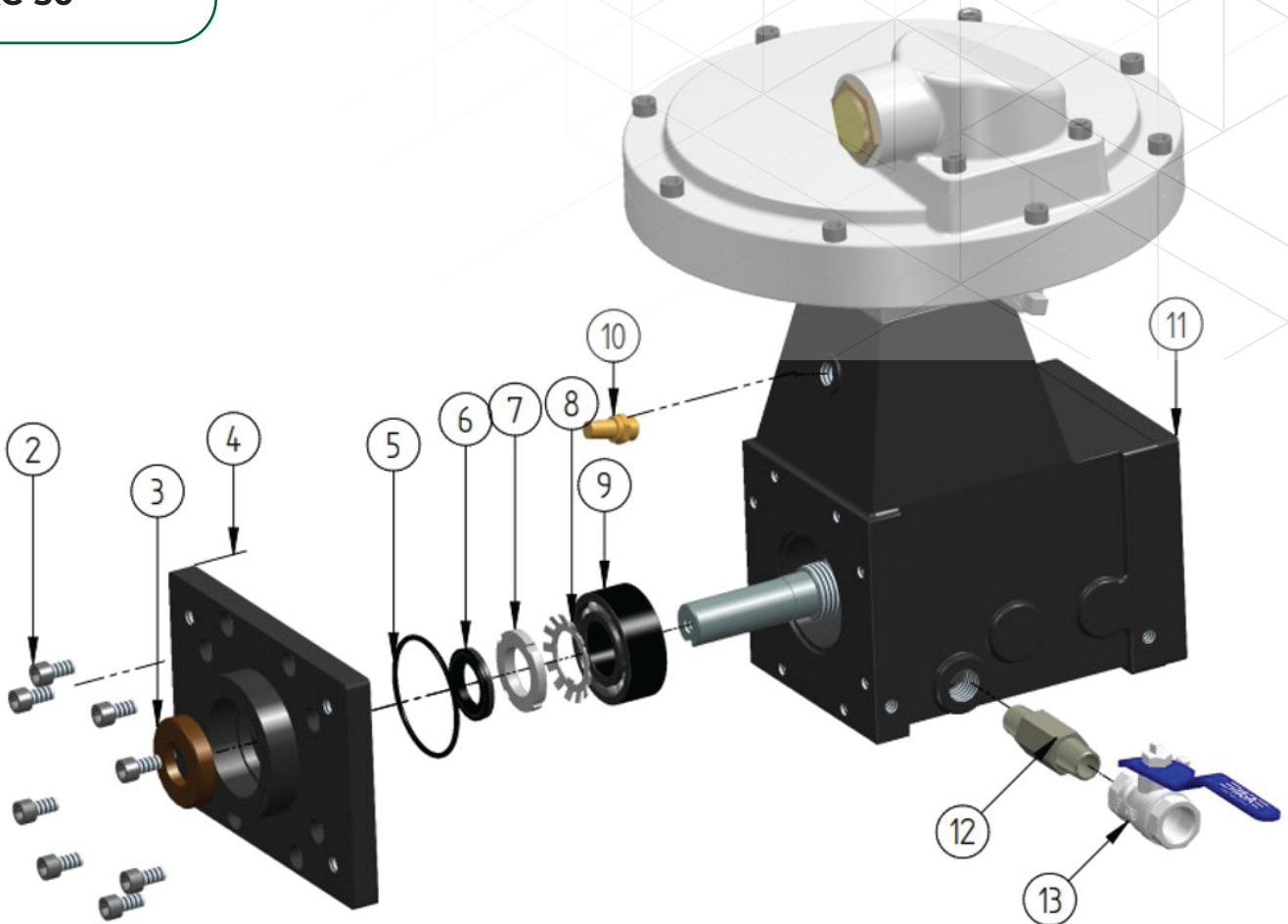
Power Requirements

@PEAK DEMAND = 2.0 KW
@COASTING = 0,3 KW
UNIT WEIGHT = 35 KG

Shipping dimensions

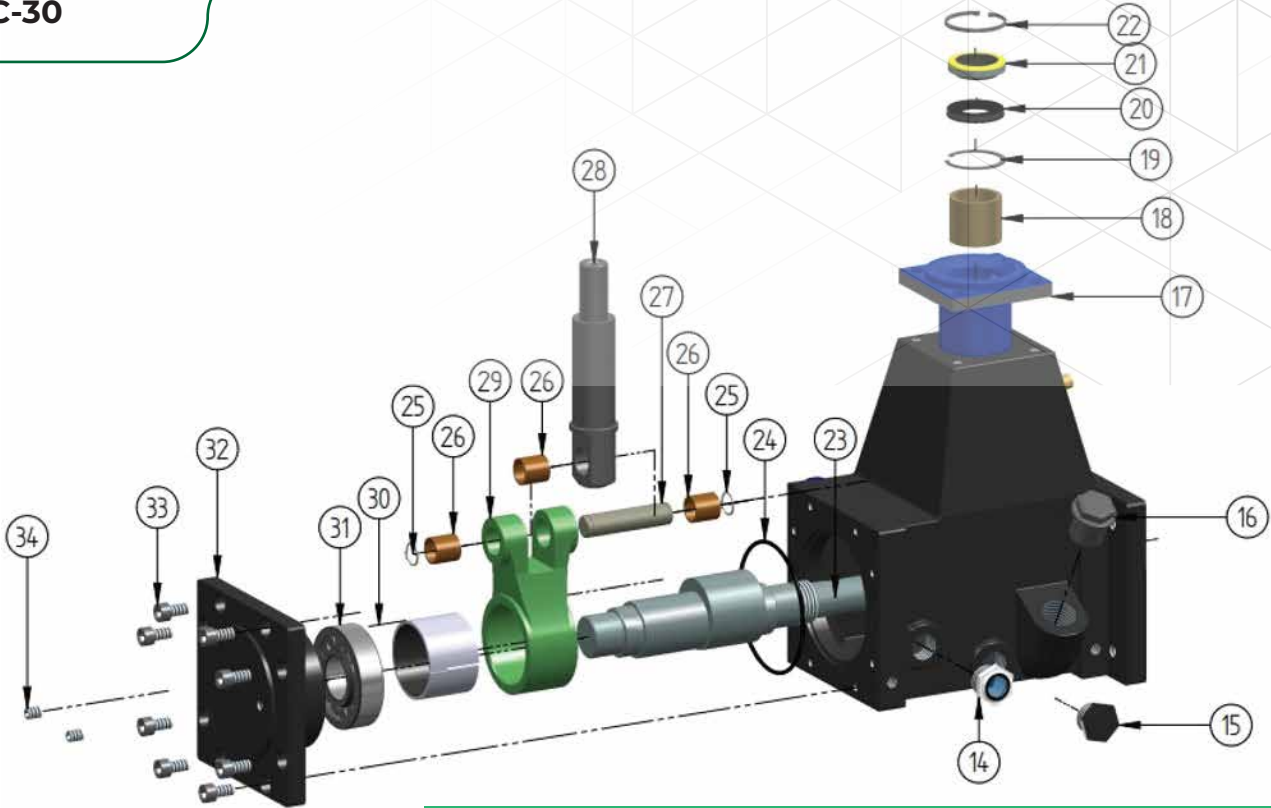
35X35X50 CM

VAC-30



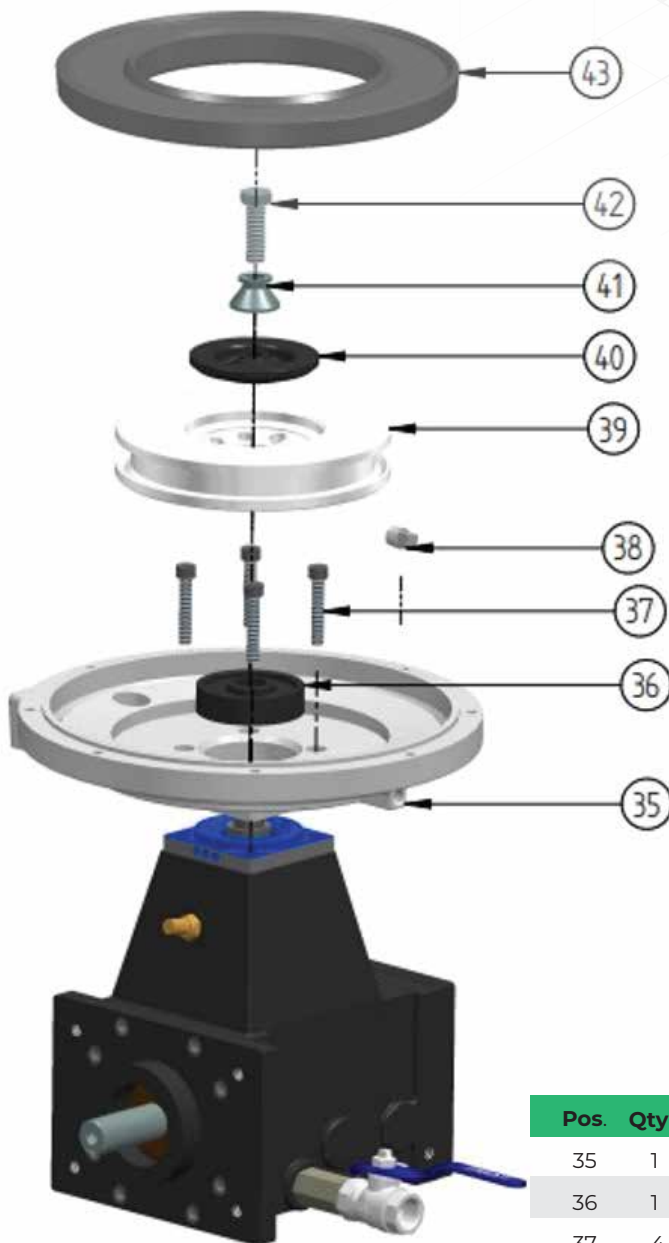
Pos.	Qty.	Cod.	Description
01	1	BV30000000	VAC30 VACUUM PUMP
02	8	BV30052100	ALLEN SCREW C/C M8 x 16mm (DIN 912)
03	1	BV30051700	NAK SEAL SC-25-50-7
04	1	BV30010300	SIDE DRIVE COVER
05	1	BV30030400	SIDE ORING DRIVEN
06	1	BV30050100	GASKET 40X5
07	1	BV30050500	KM 06 NUT
08	1	BV30050700	WASHER MB 06
09	1	BV30051100	BEARING 3206 C3
10	1	BV30053000	AIR BREATHER 1/4" NPT
11	1	BV30010100	BASE
12	1	BV30054300	NIPPLE EXTENSION 1/2" NPT
13	1	BV30051400	BALL VALVE 1/2" BSP PN30

VAC-30



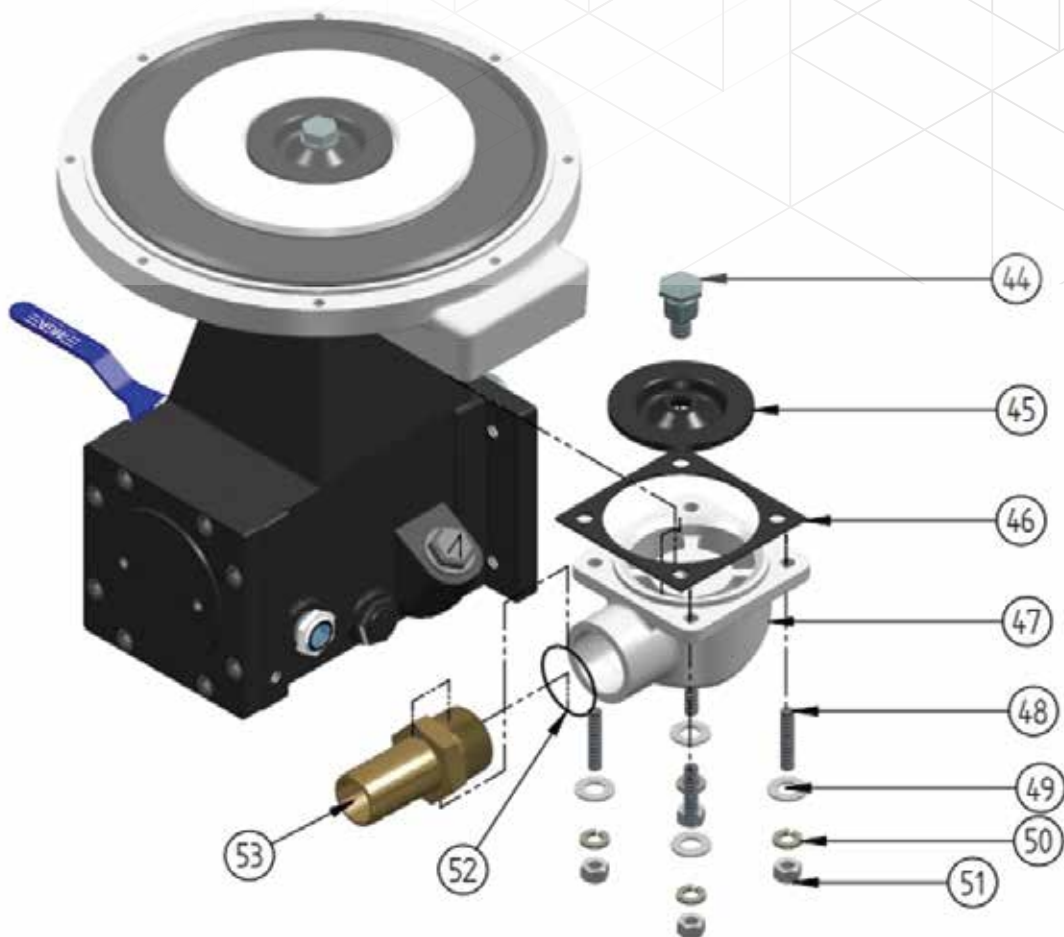
Pos.	Qty.	Cod.	Description
14	2	BV30052200	1/2" OIL SIGHT
15	1	BV30052800	1/2" BSP HEX PLUG
16	1	BV30051800	3/4" BSP HEX PLUG
17	1	BV30040200	GUIDE BEARING
18	1	BV30052880	ISOSTATIC BEARING AA1403-3
19	1	BV30053300	INNER ELASTIC RING I39
20	1	BV30050100	GASKET 40X5
21	1	BV30053400	AM4330 A RETAINER
22	1	BV30051400	INNER ELASTIC RING I43
23	1	BV30010200	ECCENTRIC AXIS
24	1	BV30040400	ORING 90 X 3
25	2	BV30041511	OUTER ELASTIC RING O43816
26	3	BV30040100	BRONZE BUSHING
27	1	BV30010700	CONNECTING ROSE PIN
28	1	BV30010500	ACTUATOR SHAFT
29	1	BV30010600	CONNECTING ROD
30	1	BV30051200	CONNECTING ROD SLIDING BUSHING
31	1	BV30051000	NJ306EC3 BEARING
32	1	BV30010400	SIDE LOCKED COVER
33	8	BV30052100	ALLEN SCREW WITH HEAD M8 X15
34	2	BV30050600	GRUB ALLEN SCREW M8 X10

VAC-30



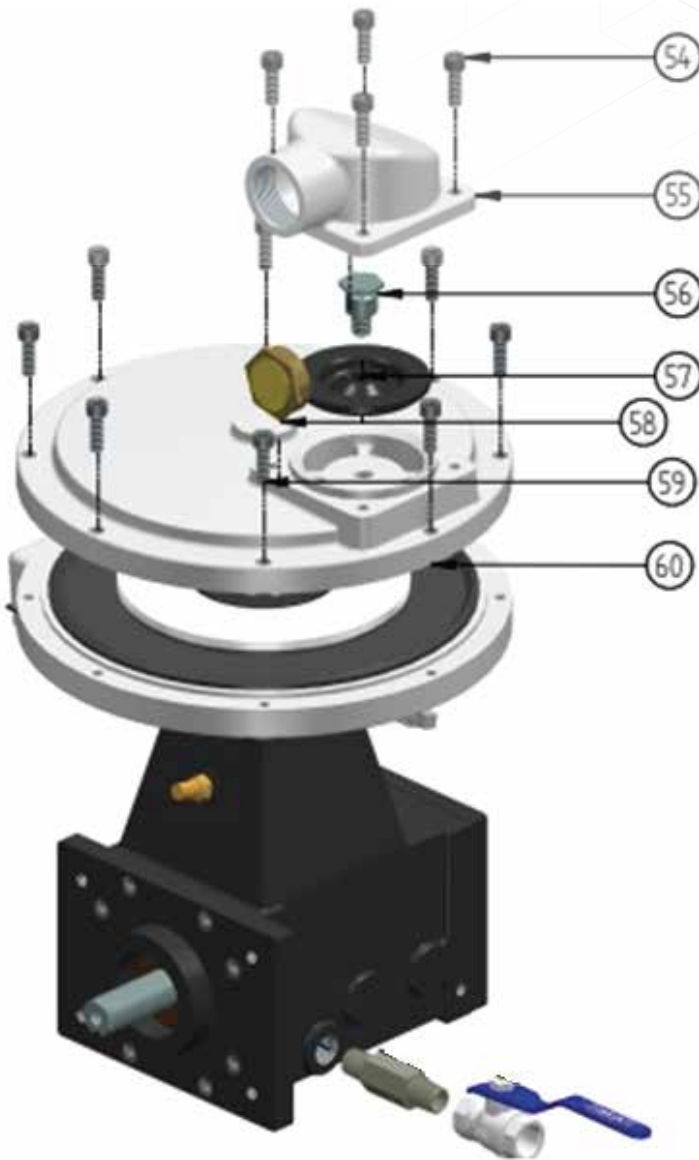
Pos.	Qty.	Cod.	Description
35	1	BV30020200	BOTTOM CAP
36	1	BV30030200	RUBBER DISC
37	4	BV30052400	ALLEN SCREW C/C M8 x 45mm (DIN 912)
38	1	BV30054400	PLUG 1/8 NPT
39	1	BV30020300	ACTUATOR DISC
40	1	BV30030100	INLET AND OUTLET VALVE
41	1	BV30010800	CONICAL WASHER
42	1	BV30053200	HEX BOLT M12 x 45mm (DIN 933)
43	1	BV30030300	ACTUATOR RUBBER DISC

VAC-30



Pos.	Qty.	Cod.	Description
44	1	BV30051500	INLET AND OUTLET SCREW M12
45	1	BV30030100	INLET AND OUTLET VALVE
46	1	BV30054200	INLET NOZZLE GASKET
47	1	BV30020500	INLET NOZZLE
48	4	BV30053600	PRISONER M8 x 40
49	4	BV30050400	FLAT WASHER M8 (DIN 125)
50	4	BV30050200	LOCK WASHER M8 (DIN 127)
51	4	BV30050900	HEX NUT M8 (DIN 934)
52	1	BV30053500	ØINT. O-RING RING. 38 x 3mm
53	1	BV30040300	THREADED SPIGOT 1.1/4" BSP

VAC-30



Pos.	Qty.	Cod.	Description
54	4	BV30052200	ALLEN SCREW WITH HEAD M8 X 25
55	1	BV30020550	OUTLET NOZZLE
56	1	BV30051500	INLET AND OUTLET SCREW M12
57	1	BV30030100	INLET AND OUTLET VALVE
58	1	BV30051650	SILENCER 1/14
59	8	BV30052200	ALLEN SCREW WITH HEAD M8 x 25
60	1	BV30020100	TOP CAP