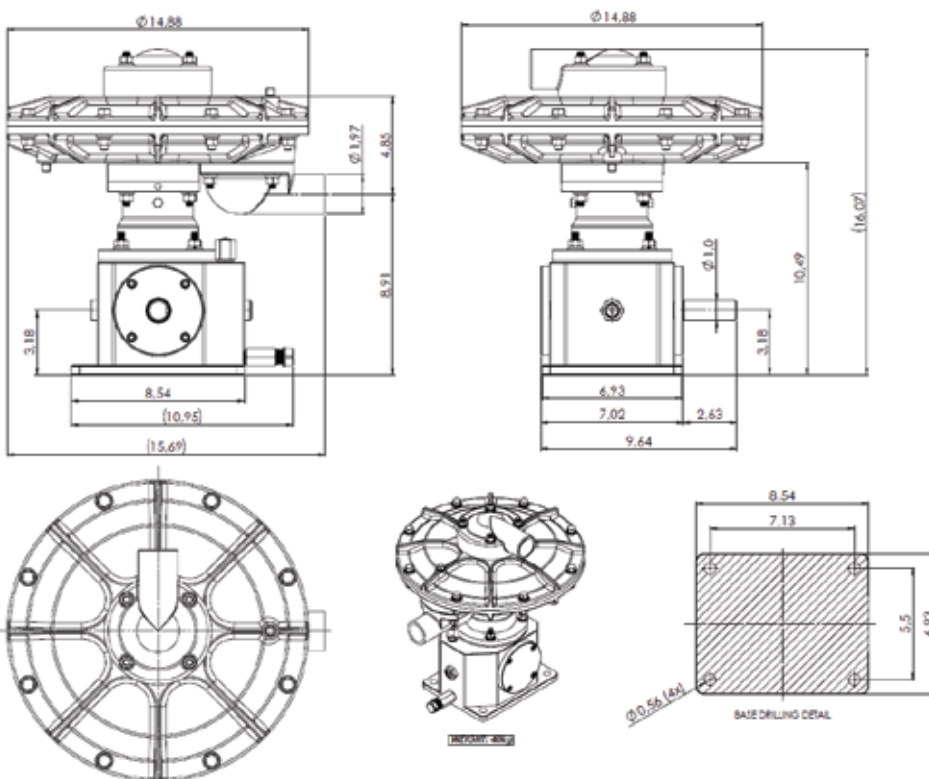




Compatible with **Pionner**,
Cornell and **Selwood**.
Diaphragm vacuum Pump
The upper and lower parts kit
are offered separately.



Capacities

NOMINAL FLOW = 50 CFM
ROTATION SPEED = 1,200 RPM
MAX . VACUUM= 27 IN HG

Power Requirements

@PEAK DEMAND = 2.0 KW
@COASTING = 0,3 KW

UNIT WEIGHT = 42 KG / 95 LB

Shipping dimensions

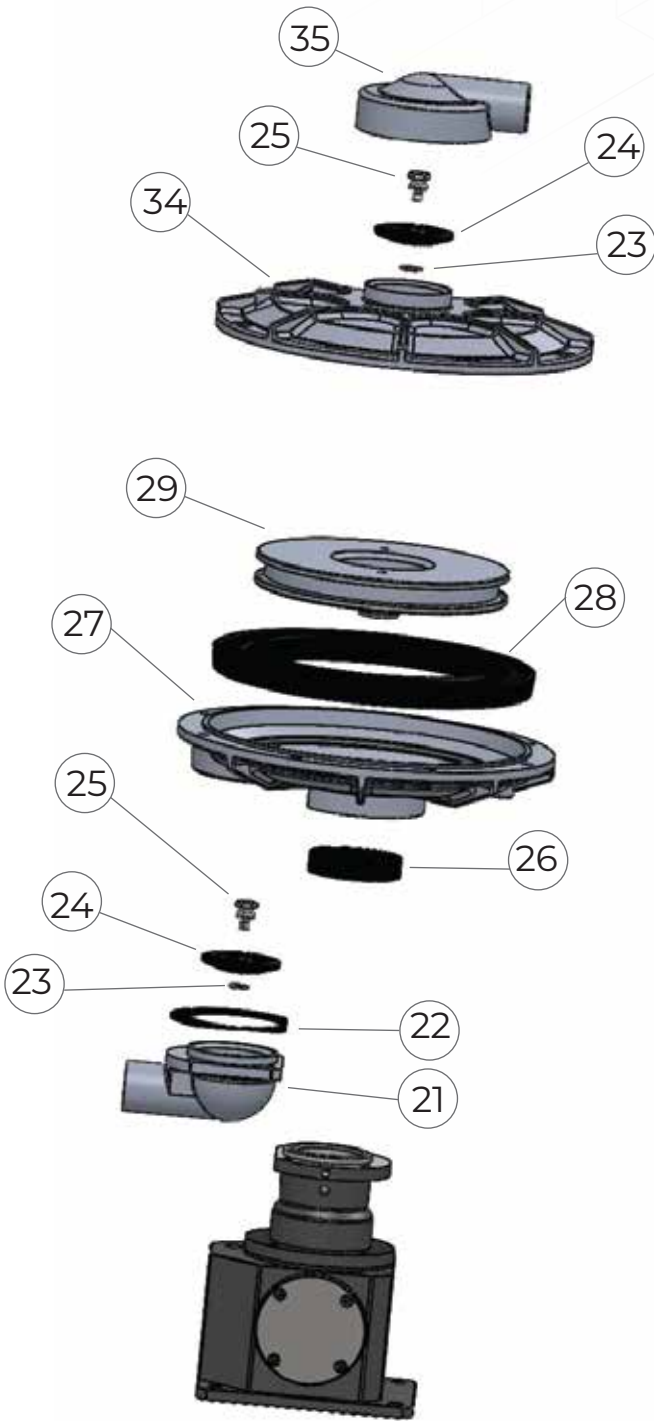
40x40x56 cm / 16x16x22 in

VAC-50



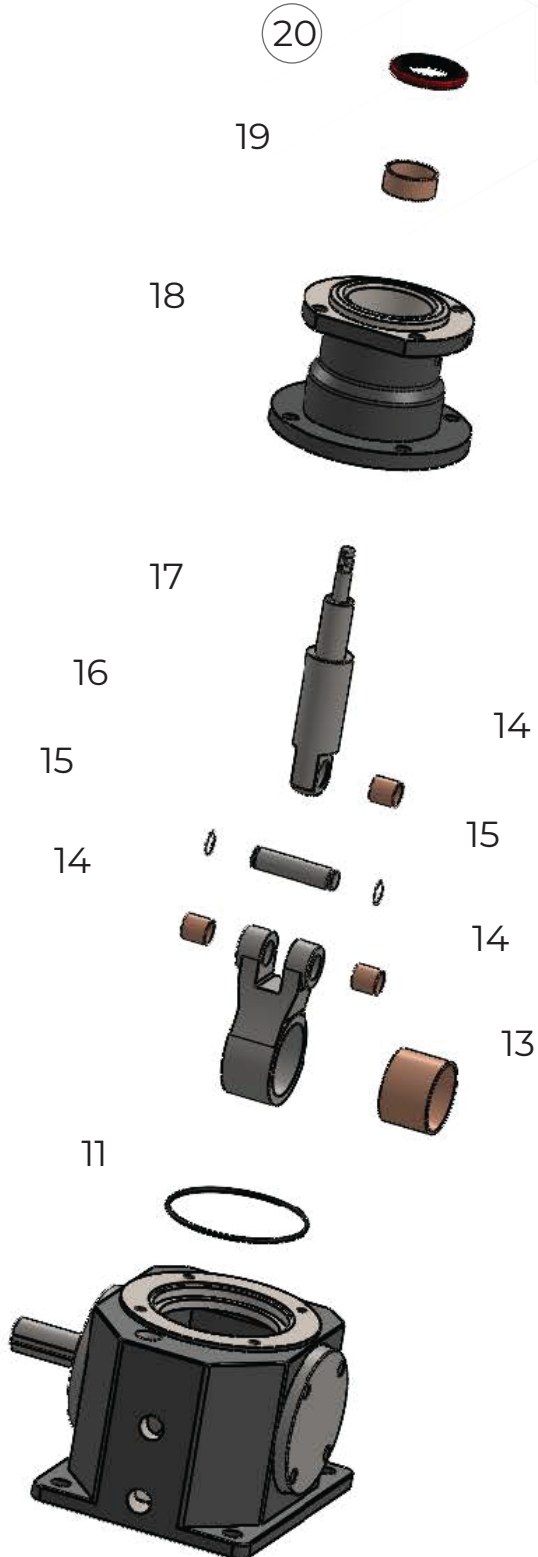
| Pos. | Qty. | Cod. | Description |
|------|------|---------|----------------------|
| 10 | 1 | S010400 | BEARING COVER |
| 9 | 1 | S041000 | BEARING NUT |
| 8 | 1 | S040900 | BEARING WASHER |
| 7 | 1 | S042100 | OIL FLINGER |
| 6 | 1 | S010200 | BASE |
| 5 | 1 | S010300 | CRANK SHAFT |
| 4 | 2 | S040400 | BEARING 21306 |
| 3 | 2 | S041500 | BEARING COVER O-RING |
| 2 | 1 | S040300 | SHAFT SEAL |
| 1 | 1 | S010100 | SHAFT COVER |

VAC-50



| Pos. | Qty. | Cod. | Description |
|------|------|---------|-------------------------|
| 35 | 1 | S020500 | DISCHARGE NOZZLE |
| 34 | 1 | S020400 | UPPER HOUSING |
| 33 | 1 | S042400 | PIN 3/32"X 1" |
| 32 | 1 | S041800 | CASTLE NUT 7/16" UNC |
| 31 | 1 | S011200 | CONICAL WASHER |
| 30 | 1 | S030500 | ACTUATOR VALVE |
| 29 | 1 | S020300 | ACTUADOR |
| 28 | 1 | S030400 | RUBBER DIAPHRAGM |
| 27 | 1 | S020200 | LOWER HOUSING |
| 26 | 1 | S030300 | RUBBER DISK |
| 25 | 2 | S011100 | VALVE SCREW |
| 24 | 2 | S030200 | INLET/ OUTLET VALVE |
| 23 | 2 | S041700 | PLAIN WASHER 7/16"-INOX |
| 22 | 1 | S030100 | SUCTION GASKET |
| 21 | 1 | S020100 | SUCTION NOZZLE |

VAC-50



| Pos. | Qty. | Cod. | Description |
|------|------|---------|-------------------------|
| 20 | 1 | S040700 | PEDESTAL SEAL |
| 19 | 1 | S011500 | PEDESTAL BUSHING |
| 18 | 1 | S011000 | PEDESTAL |
| 17 | 1 | S010900 | ACTUATOR SHAFT |
| 16 | 1 | S010600 | CONN. ROD PIN |
| 15 | 2 | S041300 | CIRCLIP 15MM |
| 14 | 3 | S010500 | CONN. ROD SMALL BUSHING |
| 13 | 1 | S010700 | CONN. ROD LARGE BUSHING |
| 12 | 1 | S010800 | CONNECTING ROD |
| 11 | 1 | S041200 | PEDESTAL O-RING |