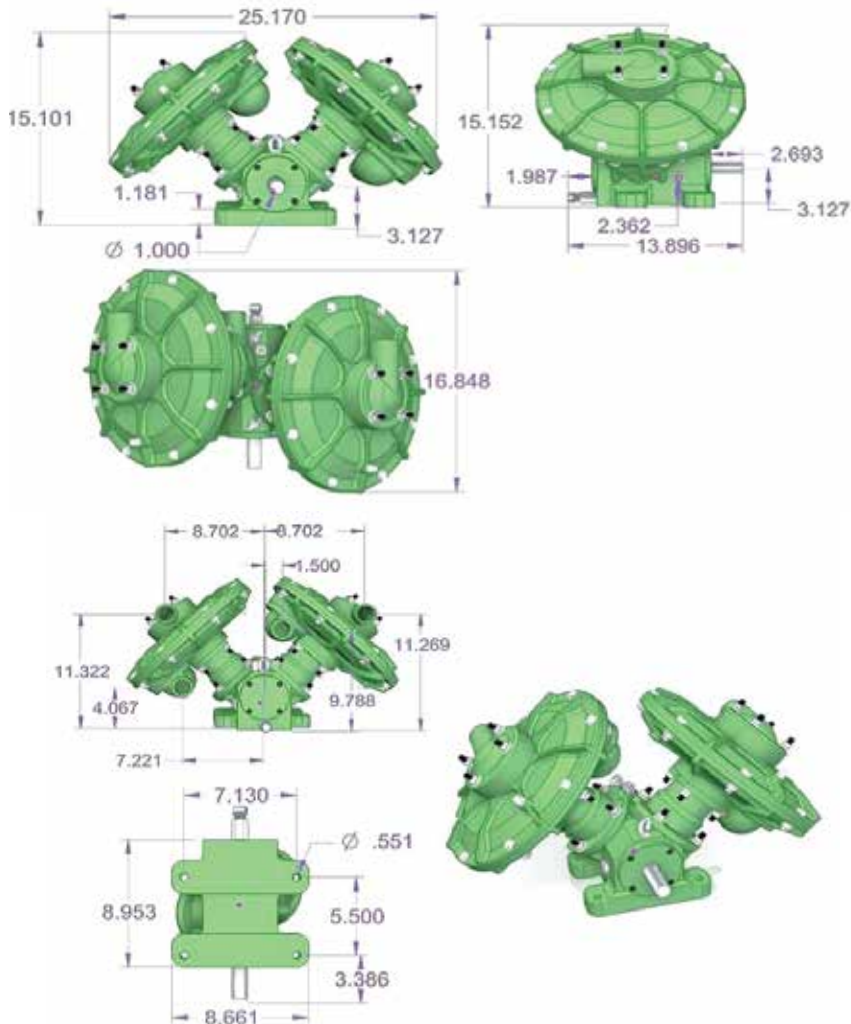




Compatible with **Pionner**,
Cornell and **Selwood**.
Diaphragm vacuum Pump
The upper and lower parts kit
are offered separately.



Compatible with Pionner,
Cornell and Selwood.
Diaphragm vacuum
pump the upper and
lower parts kit are offered
separately.

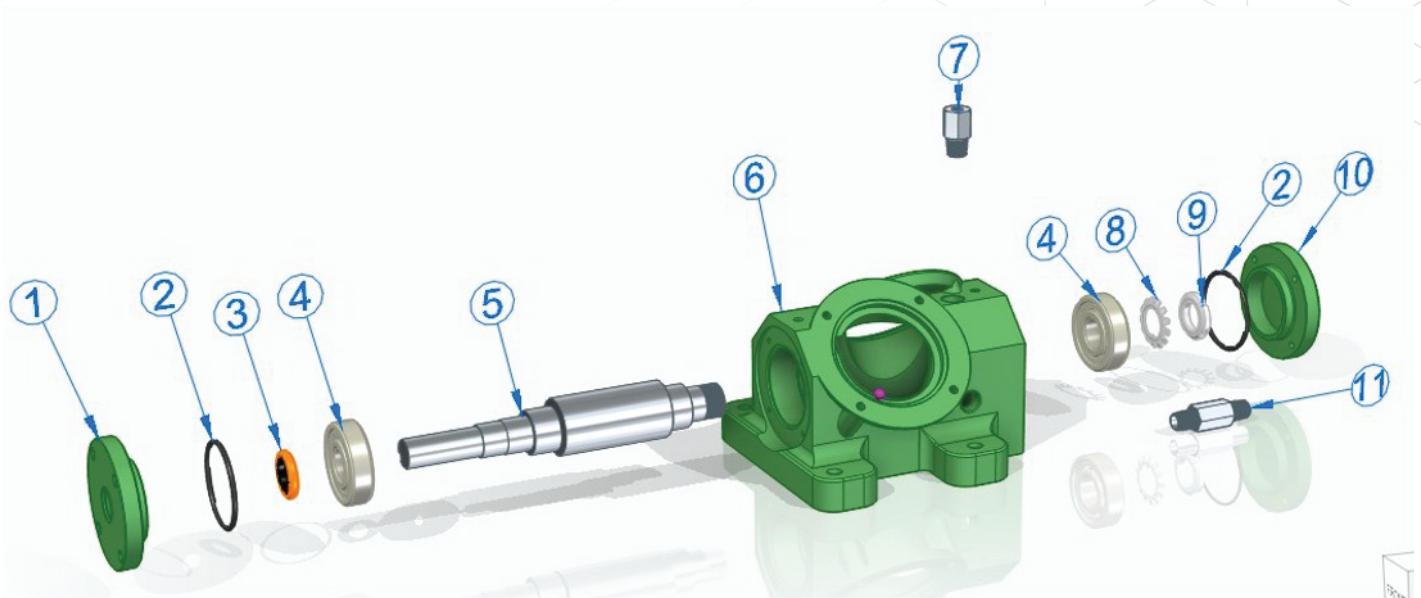
Capacities
NOMINAL FLOW = 100 CFM
ROTATION SPEED = 1.200 RPM
MAX . VACUUM= 27 IN HG

Power Requirements
PEAK DEMAND = 4.0 KW
COASTING = 0,7 KW

UNIT WEIGHT = 62kg/ 137Lbs

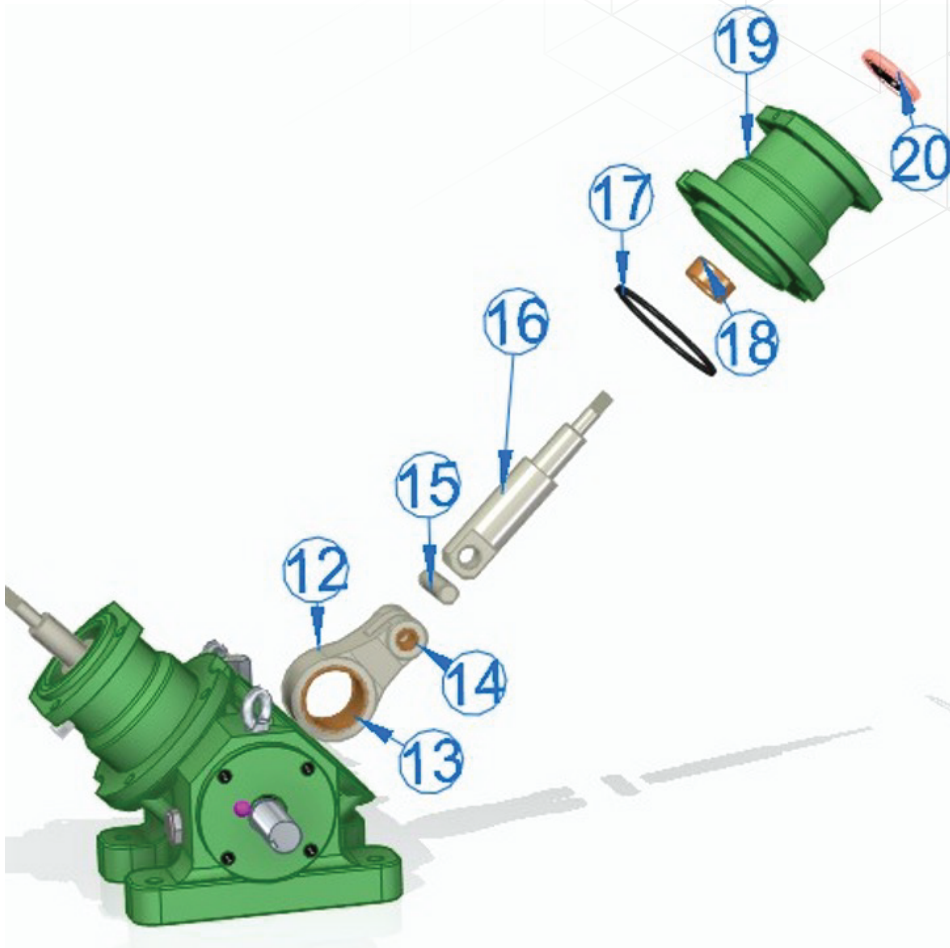
Shipping dimensions
63,5x43,1x38 cm / 25x17x15 in

VAC-100



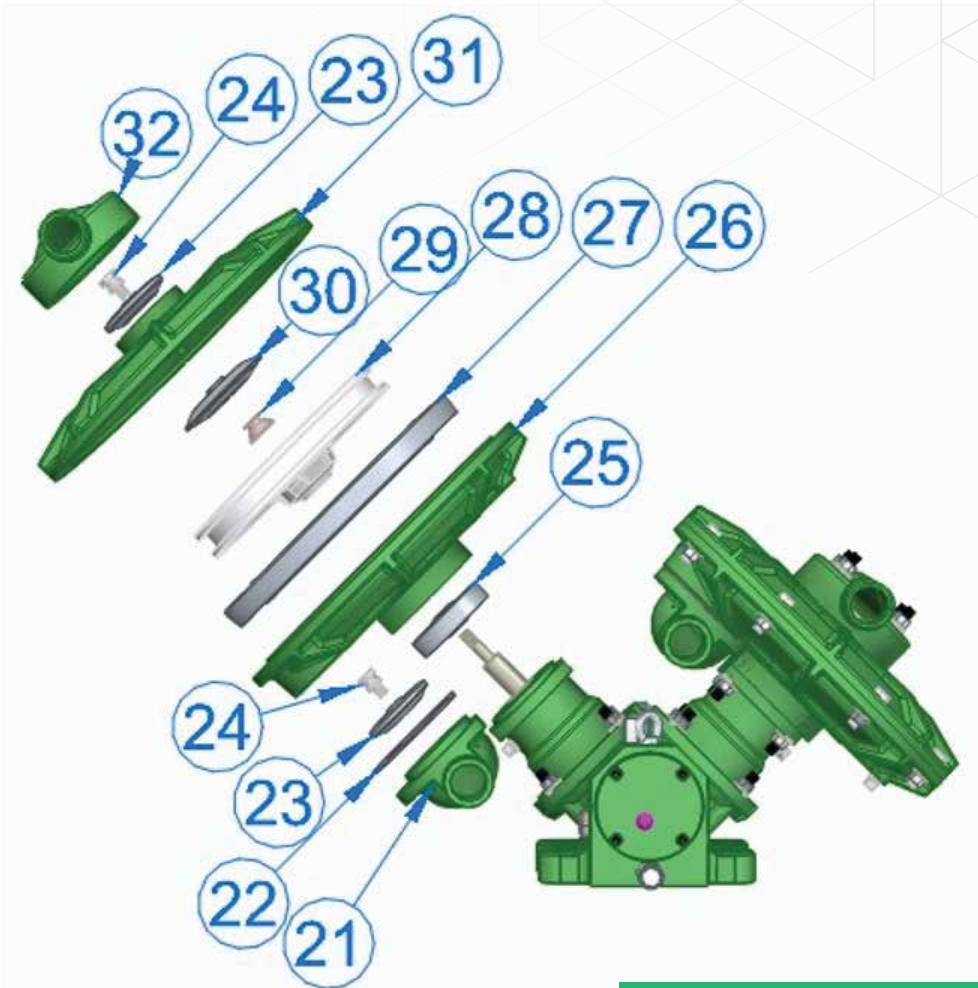
Pos.	Qty.	Cod.	Description
1	1	S010100	SHAFT COVER
2	2	S041500	BEARING COVER O-RING
3	1	S040300	SHAFT SEAL
4	2	S040400	BEARING 21306
5	1	S010300	CRANK SHAFT
6	1	S010210	VAC100 BASE
7	1	S011301	REDUCING BUSHING
8	1	S040900	BEARING WASHER
9	1	S041000	BEARING NUT
10	1	S010401	BEARING COVER
11	1	S011400	NIPPLE EXTENDER

VAC-100



Pos.	Qty.	Cod.	Description
12	2	S010800	CONNECTING ROD
13	2	S010700	CONN. ROD LARGE BUSHING
14	6	S010500	CONN. ROD SMALL BUSHING
15	2	S010600	CONN. ROD PIN
16	2	S010900	ACTUATOR SHAFT
17	2	S041200	PEDESTAL O-RING
18	2	S011500	PEDESTAL BUSHING
19	2	S011000	PEDESTAL
20	2	S040700	PEDESTAL SEAL

VAC-100



Pos.	Qty.	Cod.	Description
21	2	S020100	SUCTION NOZZLE
22	2	S030100	SUCTION GASKET
23	4	S030200	INLET/ OUTLET VALVE
24	4	S011100	VALVE SCREW
25	2	S030300	RUBBER DISK
26	2	S020200	LOWER HOUSING
27	2	S030400	RUBBER DIAPHRAGM
28	2	S020300	ACTUATOR
29	2	S011200	CONICAL WASHER
30	2	S030500	ACTUATOR VALVE
31	2	S020400	UPPER HOUSING
32	2	S020500	DISCHARGE NOZZLE